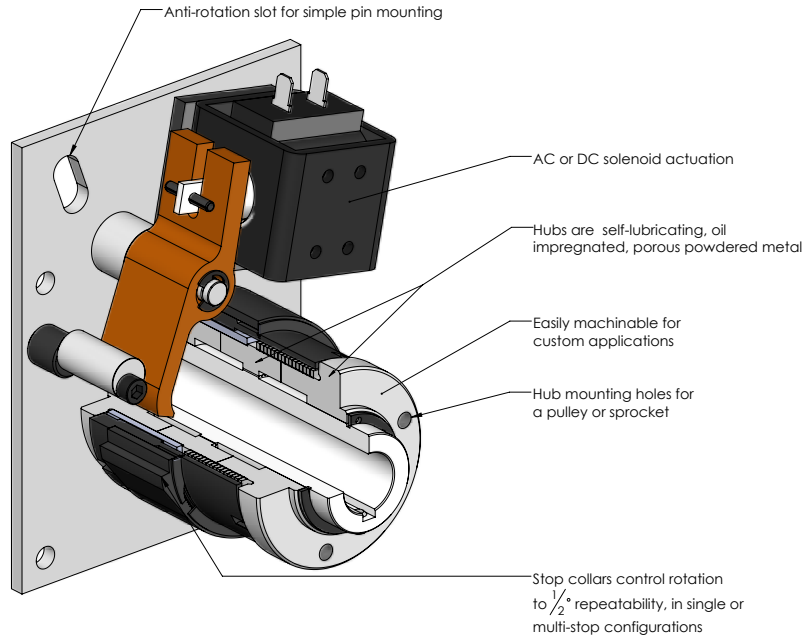




## SAC Series Solenoid Operated Clutch Package

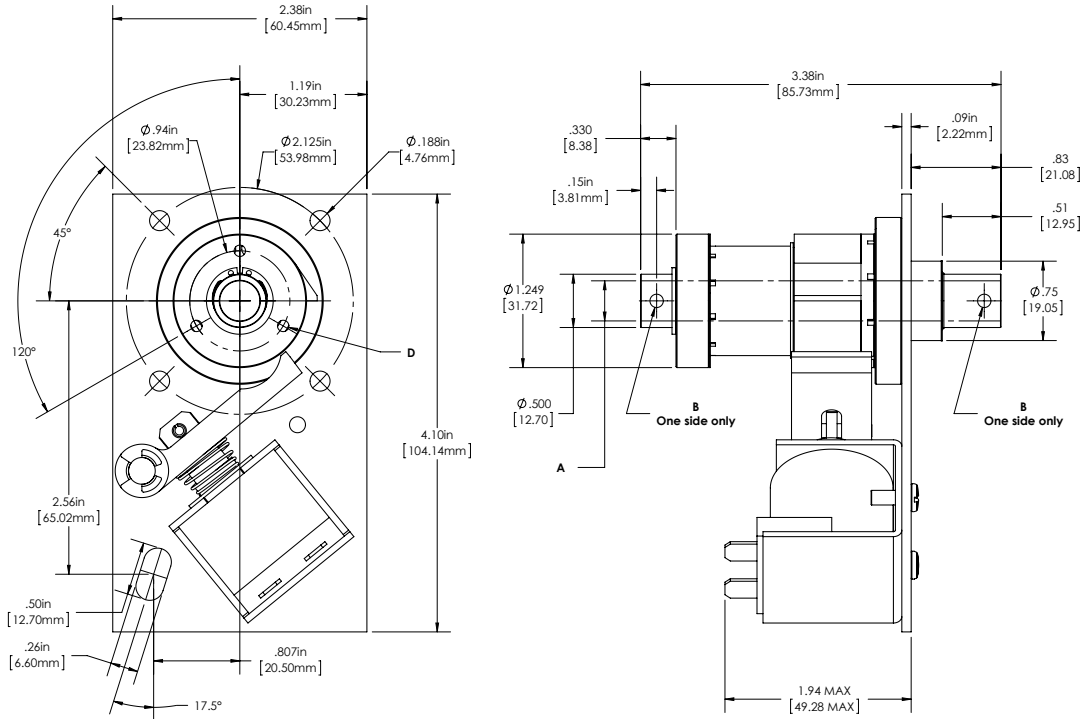


SAC PERFORMANCE				
		SAC-4	SAC-5	SAC-6
Static Torque		120 lb-in (13.56Nm)	250 lb-in (28.25Nm)	500 lb-in (56.5Nm)
Shaft bores		0.375 in (9.525mm)	0.500 in (12.70mm)	0.75 / 1.00 in (19.05/25.4mm)
Inertia, rotating parts		.0636 lb-in <sup>2</sup>	0.195 lb-in <sup>2</sup>	1.718 lb-in <sup>2</sup>
Maximum radial bearing load at maximum speed		14 lbs.	32 lbs.	63 lbs.
Maximum operating speed		1,200 RPM	750 RPM	500 RPM
Response time, voltage on at full speed		24 ms	27 ms	45 ms
Weight		2 lbs.	3 lbs.	7 lbs.

RPM vs. SHAFT BORE			
Size	Max RPM	Shaft Bores, English	Shaft Bores, Metric
SAC-4	1,200	3/8" (9.525mm)	10mm (.394")
SAC-5	750	1/2" (12.7mm)	12mm (0.427")
SAC-6	500	3/4" (19.05mm)	20mm (.787")
		1" (25.4mm)	25mm (.984")

# SAC-4 Clutch Package

## Dimensions and Specifications



PERFORMANCE	
Static Torque	120 lb-in (13.56Nm)
Inertia, rotating parts	.0636 lb-in <sup>2</sup>
Maximum radial bearing load at max speed	14 lbs.
Maximum operating speed	1,200 RPM
Response time, voltage on at full speed	24 ms
Weight	2 lbs.

Electrical Data		
Voltage	Current (Amps)	Resistance (Ohms)
115 AC 60Hz	0.103*	280.0
24 DC	0.325	74.0
12 DC	0.732	16.4
90 DC	0.096	936.0

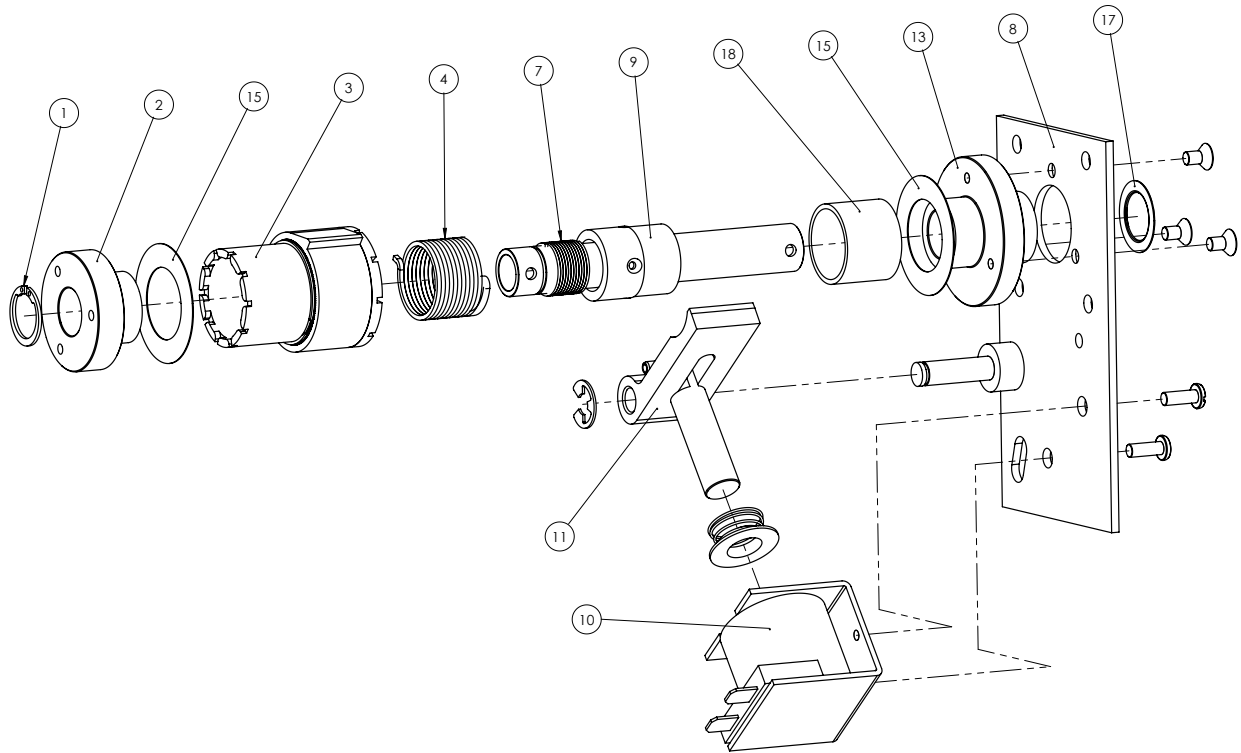
(Coils are rated for continuous duty)

\*115AC - In rush current .232 amps/Holding current .098 amps

Bore & Keyway Data		
Bore A	Pin Hole B	Mounting Holes D
0.376-0.378 (9.55-9.61)	0.124-0.129 (3.14-3.28)	3 x #6-32 UNC-2B on 0.938 b.c.
Metric Bores		
10.0 H9 (0.3937-0.3951)	2.97-3.08 (0.117-0.121)	3x M4 x 0.7 on 23.83 bc

# SAC-4 Clutch Package

## Component Parts

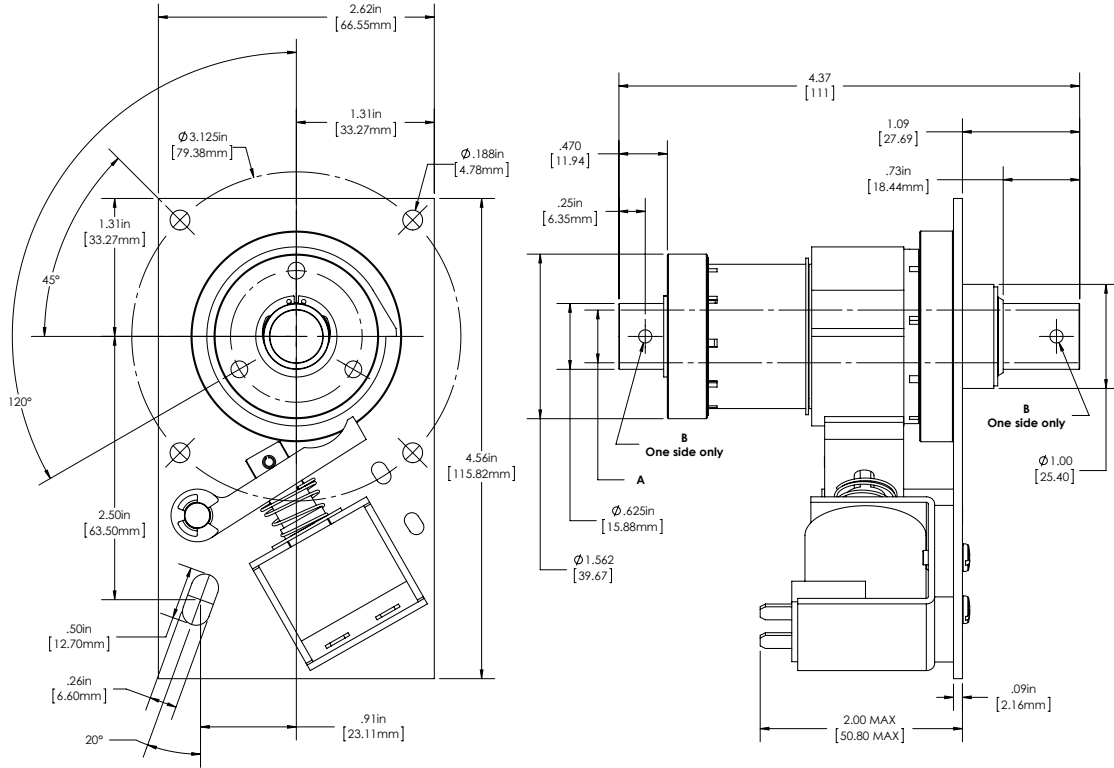


SAC-4 Component Parts			
Item	Description	Rotation	Part Number
1	Retaining Ring		03040-65000
2	Input Hub		03040-21000
	Input Hub Metric		13040-21000
3	Control Collar Assy 1-stop (specify stops last digit)	CW	03041-06061
		CCW	03042-06061
4	Drive Spring	CW	03041-31000
		CCW	03042-31000
8	Mounting Plate Assy	CW	03041-03000
CCW		03042-03000	
9	Output Shaft Assy 3/8" bore 10.0 H9 bore		03040-04203
			13040-04240

SAC-4 Component Parts			
Item	Description	Rotation	Part Number
10	Coil only		
	115V AC cont		03050-94121
	24V DC cont		03050-94122
	12V DC cont		03050-94123
	24V DC pulse		03050-94126
11	Actuator Lever w/ plunger		03050-12000
12	Anti-back Hub		03040-28000
	Anti-back Hub Metric		13040-28000
13	Plate Hub		03040-22000
15	Sleeve Shim set (2)		03040-66000
17	Grooveless retaining ring		03040-63000
18	SAC sleeve		03040-39000
Options:			
6	Anti-back Spring	CW	03041-33000
		CCW	03042-33000
7	Anti-overflow Spring	CW	03041-34000
		CCW	03042-34000

# SAC-5 Clutch Package

## Dimensions and Specifications



PERFORMANCE	
Static Torque	250 lb-in (28.25Nm)
Inertia, rotating parts	0.195 lb-in <sup>2</sup>
Maxium radial bearing load at max speed	32 lbs.
Maxium operating speed	750 RPM
Response time, voltage on at full speed	27 ms
Weight	3 lbs.

Electrical Data		
Voltage	Current (Amps)	Resistance (Ohms)
115 AC 60Hz	0.103*	280.0
24 DC	0.325	74.0
12 DC	0.732	16.4
90 DC	0.096	936.0

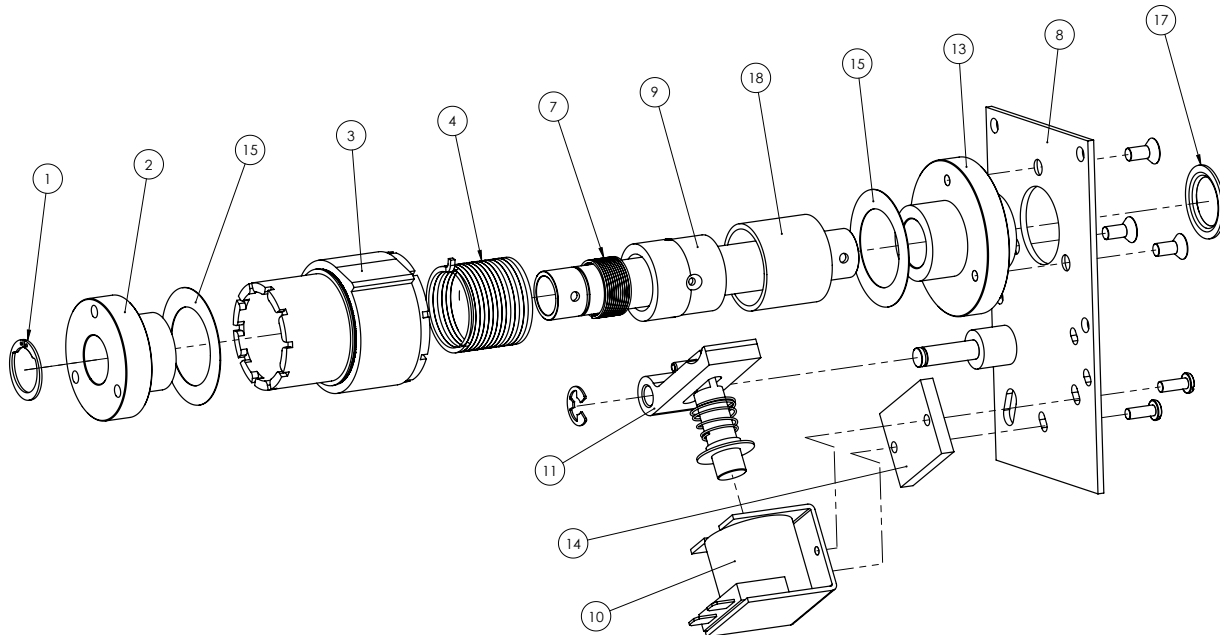
(Coils are rated for continuous duty)

\*115AC - In rush current .232 amps/Holding current .098 amps

Bore & Keyway Data		
Bore A	Pin Hole B	Mounting Hole D
0.5005-0.5025 (12.712-12.764)	0.124-0.129 (3.14-3.28)	3 x #10-32 UNF-2B on 1.25 b.c.
Metric Bores		
12.0 H9 (0.4724-0.4741)	2.97-3.08 (0.117-0.121)	3x M5 x 0.8 on 31.75 bc

# SAC-5 Clutch Package

## Component Parts

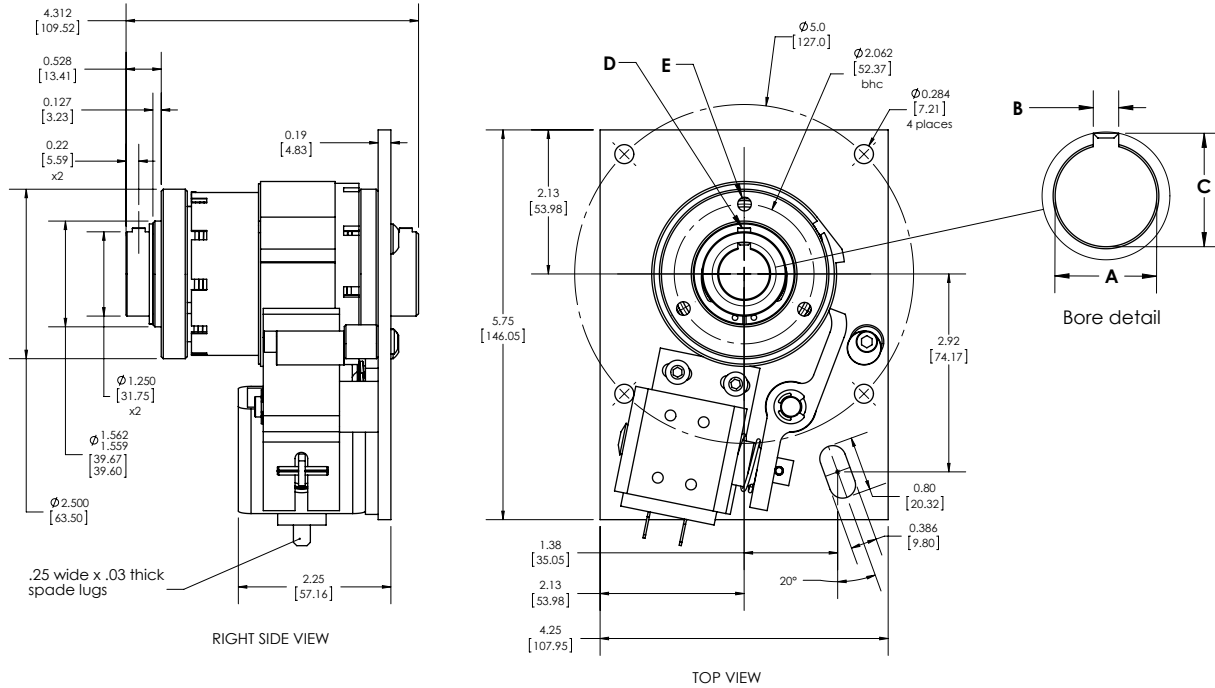


SAC-5 Component Parts			
Item	Description	Rotation	Part Number
1	Retaining Ring		03050-65000
2	Input Hub		03050-21000
	Input Hub Metric		13050-21000
3	Control Collar Assy 1-stop (specify stops last digit)	CW	03051-06061
		CCW	03052-06061
4	Drive Spring	CW	03051-31000
		CCW	03052-31000
8	Mounting Plate Assy	CW	03051-03000
CCW		03052-03000	
9	Output Shaft Assy 1/2" bore 12.0 H9 bore		03050-04205
			13050-04242

SAC-5 Component Parts			
Item	Description	Rotation	Part Number
10	Coil only		
	115V AC cont		03050-94121
	24V DC cont		03050-94122
	12V DC cont		03050-94123
	24V DC pulse		03050-94126
11	Actuator Lever w/ plunger		03050-12000
12	Anti-back Hub		03050-28000
	Anti-back Hub Metric		13050-28000
13	Plate Hub		03050-22000
14	Coil mount plate		03050-97000
15	Sleeve shim set (2)		03050-66000
17	Grooveless retaining ring		03050-63000
18	SAC Sleeve		03050-39000
Options:			
6	Anti-back spring	CW	03051-33000
		CCW	03052-33000
7	Anti-overflow spring	CW	03051-34000
		CCW	03052-34000

# SAC-6 Clutch Package

## Dimensions and Specifications



Dimensions are in Inches [millimeters]  
 Left handed clutch shown (rotates clockwise viewed from top)

PERFORMANCE	
Static Torque	500 lb-in (56.5Nm)
Inertia, rotating parts	1.718 lb-in <sup>2</sup>
Maxium radial bearing load at max speed	63 lbs.
Maxium operating speed	500 RPM
Response time, voltage on at full speed	45 ms
Weight	7 lbs.

Electrical Data		
Voltage	Current (Amps)	Resistance (Ohms)
115 AC 60Hz	0.334*	57.5
24 DC	0.586	41.0
12 DC	1.15	10.4
90 DC	0.151	598.0

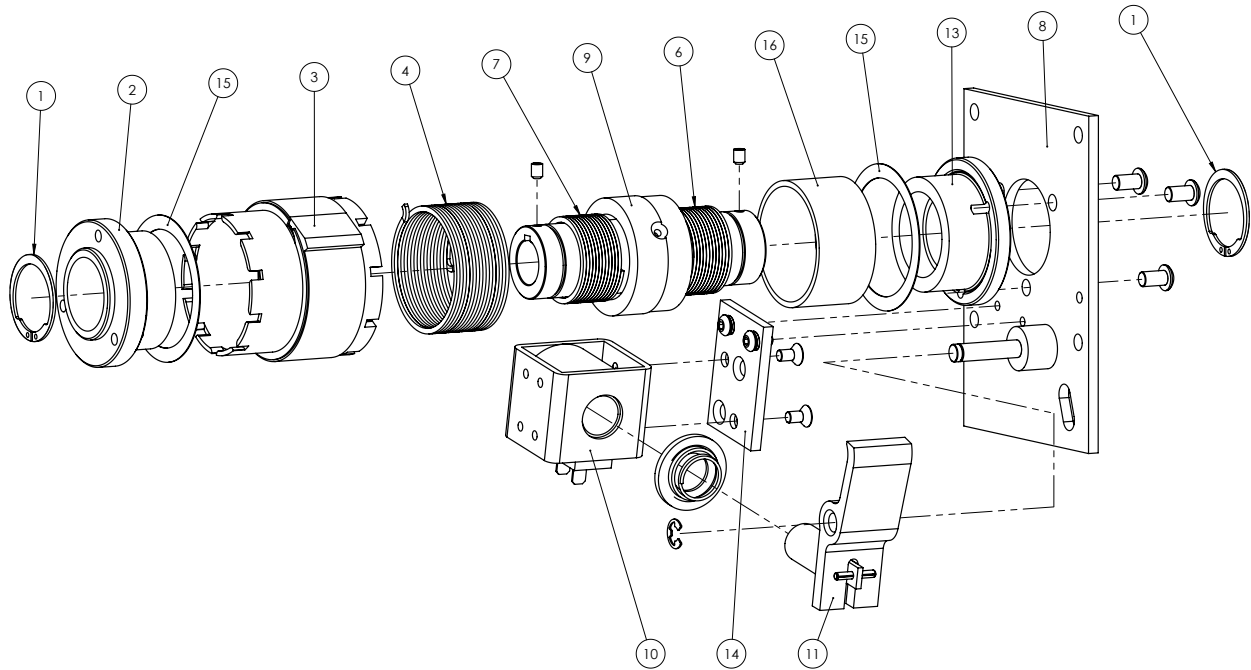
(Coils are rated for continuous duty)

\*115AC - In rush current 1.1 amps/Holding current 0.2 amps

Bore & Keyway Data				
Bore A	Keyway Width B	Keyway Depth C	Set and Pin D	Mounting Holes E
0.7505-0.7525 (19.062-19.114)	0.1885-0.1905 (4.787-4.839)	0.837-0.842 (21.25-21.39)	2 x #10-32 UNC-2B x .19 hex set screw	3x #1/4-20 UNC-2B on 2.062 b.c.
1.005-1.0025 (25.412-25.464)			2x 0.187-0.192 hole (4.74-4.88)	3x #1/4-20 UNC-2B on 2.062 b.c.
Metric Bores				
20.0 H9 (0.7874-0.7894)	5.985-6.015 (0.2356-0.2368)	22.800-22.900 (0.8976-0.9015)	2x M5 x 0.8 x 5.0 hex set screw	3 x M6 x 1.0 on 52.38 bc
25.0 H9 (0.9843-0.9863)			2x 4.87-5.14 hole (0.191-0.203)	3 x M6 x 1.0 on 52.38 bc

# SAC-6 Clutch Package

## Component Parts



SAC-6 Component Parts			
Item	Description	Rotation	Part Number
1	Retaining Ring		03060-65000
2	Input Hub		03060-21000
	Input Hub Metric		13060-21000
3	Control Collar Assy 1-stop (specify stops last digit)	CW	03061-06061
		CCW	03062-06061
4	Drive Spring	CW	03061-31000
		CCW	03062-31000
8	Mounting Plate Assy	CW	03061-03000
		CCW	03062-03000
9	Output Shaft Assy		
	3/4" bore		03060-04209
	1" bore		03060-04213
	20.0 H9 bore		13060-04245
	25.0 H9 bore		13060-04247

SAC-6 Component Parts			
Item	Description	Rotation	Part Number
10	Coil only		
	115V AC cont		03060-94101
	24V DC cont		03060-94102
	12V DC cont		03060-94103
	24V DC pulse		03060-94104
11	Actuator lever w/ plunger		03060-08000
12	Anti-back Hub		03060-28000
	Anti-back Hub Metric		13060-28000
13	Plate Hub		03060-22000
14	Coil mount plate		03060-97000
15	Sleeve shim set (2)		03060-66000
16	SAC sleeve		03060-39000
<b>Options:</b>			
6	Anti-back Spring	CW	03061-33000
		CCW	03062-33000
7	Anti-overrun Spring	CW	03061-34000
		CCW	03062-34000